



NORTH · WEST

SWITCH ON **EXCELLENCE**

Electrical Wiring Devices Catalog | 2024



About Us

Wipro Enterprises houses two dynamic player in entities—Wipro Consumer Care & Lighting and Wipro Infrastructure Engineering. The former is prominent in FMCG sector, excelling in Personal Care, Home Care, Lighting & Switches, and Seating Solutions. Meanwhile, Wipro Infrastructure Engineering operates in diverse sectors such as Hydraulics, Water Treatment, Additive Manufacturing, Aerospace, and Automation Solutions.



HARNESSING OVER **30 BRANDS**



Wipro Consumer Care & Lighting Overview

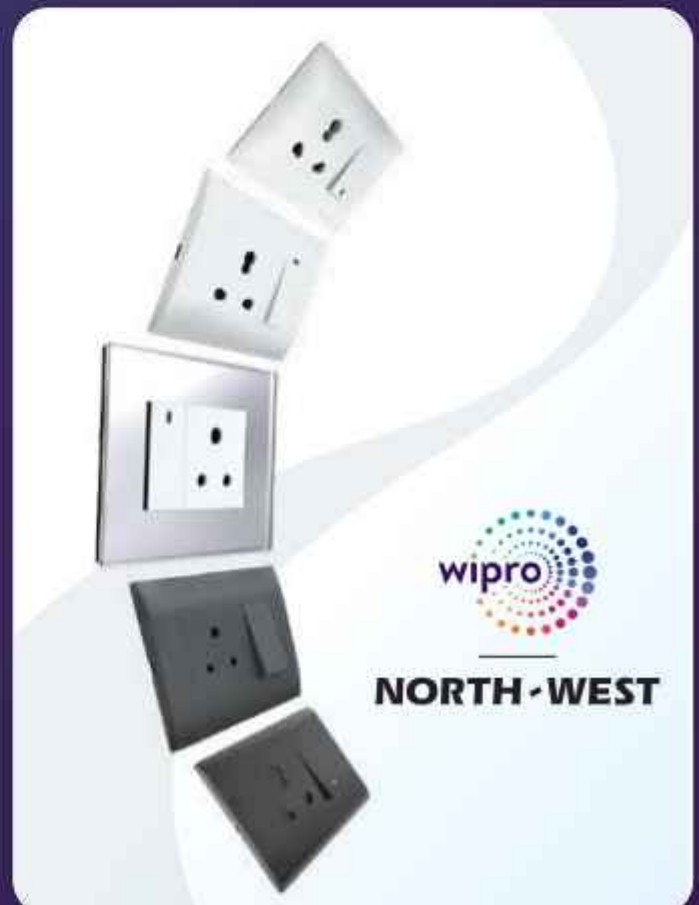
Wipro Consumer Care & Lighting is a rapidly expanding FMCG enterprise across Asia, the Middle East, and Africa, generating revenues over INR 10,000 Crs.

Our expertise spans Fast Moving Consumer Goods, Electrical Wiring Devices, Domestic & Commercial Lighting, and Seating Solutions, maintaining a robust market presence in key regions across the country.

Wipro North-West Overview

North-West carries the legacy of reliable and innovative electrical wiring solutions that tirelessly function with an ageless appeal.

Choose Wipro North-West and bring home thoughtfully crafted products that operate effortlessly while elevating your space aesthetically.



History

Since 1945, Wipro Enterprises has been committed to crafting high-quality products. The 2006 acquisition of North-West established our leadership in Electrical Wiring Devices. Experience Wipro North-West's extraordinary evolution from humble origins to a renowned brand symbolizing unwavering commitment to quality, dependability, and integrity.

2006 Wipro North-West's Emergence

- Our initial foray into the modular switch industry began.

2007 Establishing Foundations

- We procured land in Haridwar to inaugurate our switch manufacturing facility.

2008 Launching Production

- Switch manufacturing operations commenced at our Haridwar and Baddi plants.

2012 Setting New Standards

- Introduced the Stylus+ series, redefining industry norms.

2013 Focus on Innovation

- Launched Nowa Switches, Iview Klick Video Door Phones, and Elite Distribution Boards.

2014 Elegant Platia Range

- Introduced Platia range of flat mechanism switches designed for modern spaces.

2016 Diversification in Solutions

- Expanded with Z-Nxt Z-Wave Home Automation Solutions, Venia Switches, and Platia Color Switches.

2019 Innovations Unveiled

- Introduced the Fianza family of MCBs and upgraded Distribution Boards to the Avancee family of Enclosures.

2020 Pursuit of Excellence

- Launched Artisa Flat & Rocker mechanism-based Premium switches.

2023 Smart & Connected Era

- Introduced the Artisa Neo Smart switches, marking the advent of North-West switches into a new era.

2024 A Masterpiece is Reborn

- Introduction of the uber exotic range of switches, Celestia. A complete rediscovery of switches as a statement.

ARTISA
— FLAT —
elegance redefined.

|
&
|

ARTISA
elegance redefined

Artisa... Switch Art for Every Wall

With our deep understanding of switches and a legacy of more than 30 years, we bring to you switches that click to your every need.



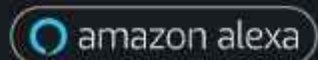
With exquisite materials, precision engineered components, and clean designs, Artisa is bound to elevate your space.

ARTISA NEO

SMART

The Future of Smart Control

Artisa Neo gives you effortless control; manage devices with a feather-light touch through the user-friendly capacitive touch interface. Control via voice commands with Amazon Alexa and Google Assistant. Schedule device activation using the automation feature. Durable, scratch-resistant glass finish.





Smart Control

Elevate your devices to Smart status, control them from anywhere through the Wipro Next Smart Home app.



Feather-Touch Operation

Experience the ease of control with our capacitive touch screen – a simple, feather-light touch is all it requires.



Grouping and Scheduling Simplified

Simplify your routine by effortlessly grouping and scheduling multiple devices, enabling one-click control and automating device operations according to your preferences.



Sleek Design, Scratch-Resistant Panels

Elevate your space with a sleek and stylish design, featuring scratch-resistant glass panels that marry aesthetics with durability.



Multi Control Association

Control multiple smart touch switch modules without any wiring through our innovative software-linked MCA option.



1 Channel

Code	NWS110
Total Load Count	1
Load Capacity Resistive	5000W
Load Capacity LED	500W
Load Capacity Motor	4000VA

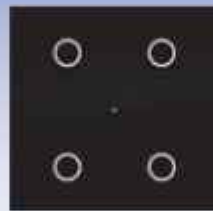
Dimensions (mm) :
45 (L) x 51 (W) x 43 (H)



2 Channel

Code	NWS120
Total Load Count	2
Load Capacity Resistive	3500W
Load Capacity LED	500W
Load Capacity Motor	3000VA

Dimensions (mm) :
45 (L) x 51 (W) x 43 (H)



4 Channel

Code	NWS140
Total Load Count	4
Load Capacity Resistive	5000W
Load Capacity LED	100W
Load Capacity Motor	500VA

Dimensions (mm) :
45 (L) x 51 (W) x 43 (H)



Fan Regulator

Code	NWS150
Total Load Count	1
Load Capacity Resistive	-
Load Capacity LED	-
Load Capacity Motor	120W

Dimensions (mm) :
45 (L) x 51 (W) x 43 (H)



Curtain Controller

Code	NWS160
Total Load Count	2
Load Capacity Resistive	-
Load Capacity LED	-
Load Capacity Motor	150W x 2

Dimensions (mm) :
45 (L) x 51 (W) x 43 (H)

ARTISA

Where Style Meets Safety

Explore the multitude of options in real materials and paints for a rich and distinct visual element on your walls. Art for your walls - Artisa

Choose from three distinct materials and a myriad of colors



REAL GLASS



REAL METAL



REAL WOOD



PREMIUM COLORS

REAL GLASS

3mm Tempered Glass

Precision-Cut



Dapper Black



Aqua Green



Frozen Matt

REAL METAL

3mm Brushed Aluminum

CNC-Milled & Anodized



Abstract Silver



Retro Bronze

REAL WOOD

3mm Termite-Free Wood

Lacquer-Coated



Cherry Mahogany



Natural Teak

PREMIUM COLORS

Rich & Dynamic Hues

Tough UV Stable Paint



White



Champagne Gold



Silver Grey



Galaxy Black

ARTISA ACCESSORIES



**COPPER CONTACTORS
WITH SILVER INLAY**
for enhanced protection

**BRASS TERMINAL BUSH
WITH CAPTIVE SCREWS**
for corrosion resistant termination

DOUBLE KNOB DESIGN
for complete spark shielding and soft operation

**GLASS FILLED
NYLON PLUNGER**
for long operational life

**ANTIBACTERIAL
POLYCARBONATE**
knobs for enhanced hygiene

DESIGNED TO LAST THROUGH
5,00,000 OPERATIONS



SAFETY SHUTTERS
for finger protection

**HIGH-QUALITY
FIRE-RETARDANT**
materials for long operational life

**SILVER-COATED CONNECTORS
with BRASS TERMINAL BUSHES**
for efficient operation

**SPRING-LOADED
CONNECTORS**
for sure contact with plug tops

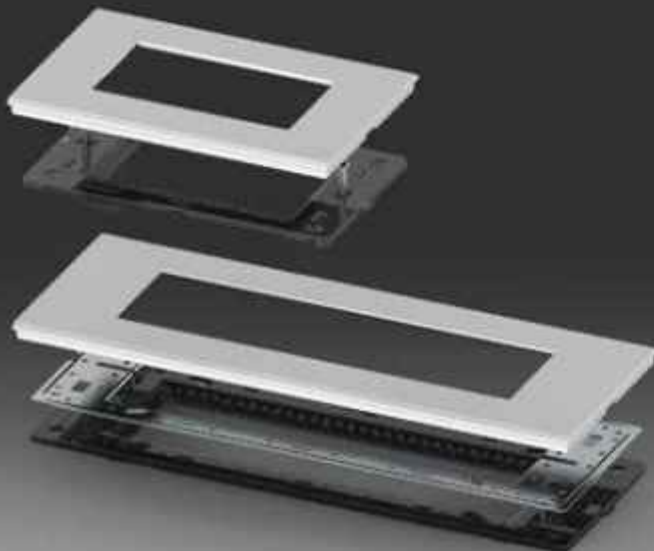
Compliance with
**BIS & ROHS
STANDARDS**

TRIPLE CAPACITOR
based design for uniform speed control

**HIGH-QUALITY
ROTARY SWITCH**
for long-lasting operation

**FIRE-RETARDANT GRADE
ANTIBACTERIAL** material

Compliance to new
**BIS STANDARDS
WITH ISI MARKING**



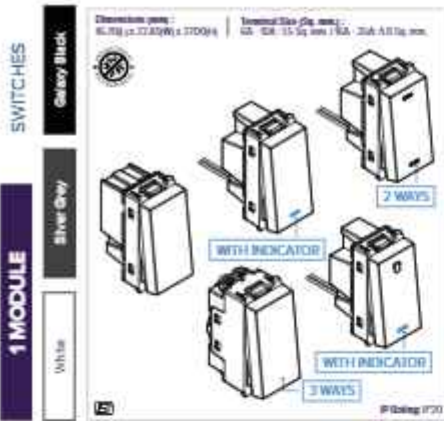
SLEEK AND PREMIUM
low-profile design

**FIRE RETARDANT
POLYCARBONATE**
material for added safety

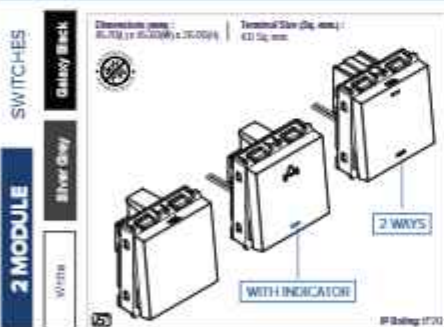
UV STABILIZED VIRGIN POLYMERS
resistant to decolorization and cracks

Over-molded
**BACK GRID PLATE WITH
METAL INSERTS** for extra rigidity

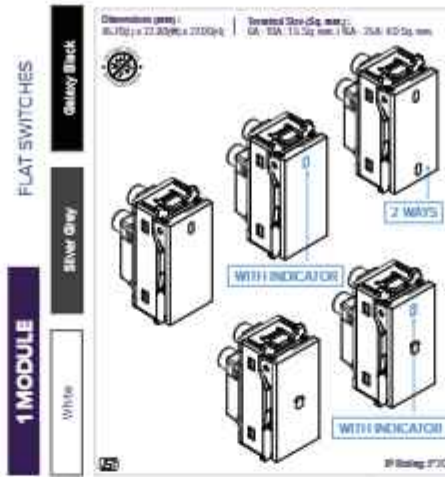
ARTISA SWITCH/SOCKET/ACCESSORIES



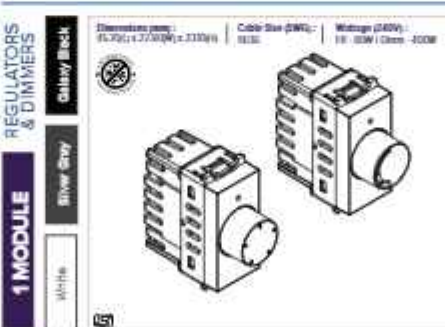
Cat No	Material Description	Inner/Outer Case Lot
R010	6A 1 Way Switch	10/400
R030	6A Bolt Push Switch	10/200
R0330	10A Intermediate Switch	10/400
R0130	16A 1 Way Switch	10/400
R0150	25A 1 Way Switch	10/400
WITH INDICATOR		
R011	6A 1 Way Switch with Indicator	10/400
R031	6A Bolt Push Switch with Indicator	10/200
R0131	16A 1 Way Switch with Indicator	10/400
R0151	25A 1 Way Switch with Indicator	10/400
2 WAYS		
R0210	6A 2 Way Switch	10/200
R0230	16A 2 Way Switch	10/200



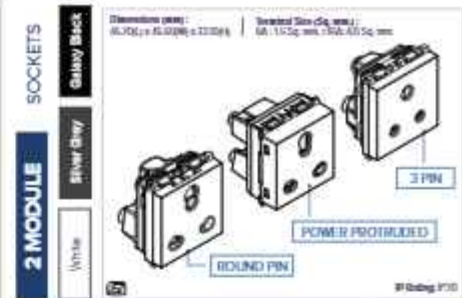
Cat No	Material Description	Inner/Outer Case Lot
R0132	16A 1 Way Mega Switch	10/200
WITH INDICATOR		
R0133	16A 1 Way Mega Switch with Indicator	10/200
R0341	6A Mega Bolt push with Indicator Palm	10/200
2 WAYS		
R0233	16A 2 Way Mega Switch with Indicator	10/200



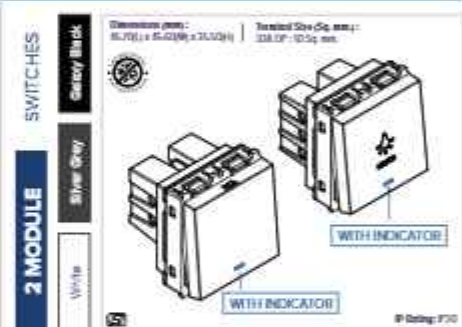
Cat No	Material Description	Inner/Outer Case Lot
RF10	6A 1 Way Flat Switch	10/400
RF30	6A Bolt Push Flat Switch	10/200
RF130	16A 1 Way Flat Switch	10/400
WITH INDICATOR		
RF11	6A 1 Way Flat Switch with Noon Indicator	10/400
RF31	6A Bolt Push Noon Indicator Flat Switch	10/200
RF21	6A 2 Way Flat Switch with Noon Indicator	10/400
RF131	16A 1 Way Flat Switch with Noon Indicator	10/400
RF231	16A 2 Way Flat Switch with Noon Indicator	10/200
RF161	20A 1 Way Flat Switch with Noon Indicator	10/200
2 WAYS		
RF210	16A 2 Way Flat Switch	10/400
RF230	16A 2 Way Flat Switch	10/200



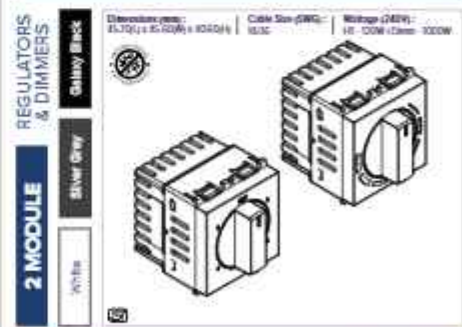
Cat No	Material Description	Inner/Outer Case Lot
R1700	4 Step Fan Regulator	10/200
R1500	400W Dimmer	10/200



Cat No	Material Description	Inner/Outer Case Lot
3 PIN		
R1212	6A 3 Pin Socket	10/200
POWER PROTRUDED		
R1332F	6-16A Power Protruded Socket	8/160
R1352F	6-16A Heavy Duty Protruded Socket	8/160
ROUND PIN		
R1332	6-16A Power Socket	10/200
R1352	6-16A Heavy Duty Socket	10/200



Cat No	Material Description	Inner/Outer Case Lot
WITH INDICATOR		
R0171	32A DP Master Switch with Indicator	8/160
R0271	32A DP 2W Master Switch	8/160



Cat No	Material Description	Inner/Outer Case Lot
R1920	5 Step Fan Regulator	5/100
R2700	1000W Dimmer	5/100

ARTISA SWITCH/SOCKET/ACCESSORIES

COMMUNICATION & HOSPITALITY

1 MODULE

White | Silver Grey | Galaxy Black

Cat No	Material Description	Inner/Outer Case Lot
TELEPHONE SOCKET		
R4900	RJ 11 Telephone Socket Single Shutter	10/200
R4700	RJ 11 Telephone Socket Double Shutter	10/200
COMPUTER SOCKET		
R5100	RJ 45 Computer Socket Cat5	10/200
R5200	RJ 45 Computer Socket Cat6	10/200
TV SOCKET		
R4797	TV Co - Axial	10/200

COMMUNICATION & HOSPITALITY

1 MODULE

White | Silver Grey | Galaxy Black

Dimensions (mm): 57.75 (x 57.75) (x 57.75) | Width: Type A: 2W | Type C: 3W | Type C/FD: 18W
 61.75 (x 27.25) (x 30.75)

Cat No	Material Description	Inner/Outer Case Lot
USB CHARGER		
R4921	USB Charger 2A Type A	10/200
R4931	USB Charger 3A Type C	10/200
R4932	USB Charger 3A 18W Type C	10/200
LED INDICATOR LAMP & BLANKING PLATE		
R4600	LED Indicator Lamp	10/200
R3900	Blanking Plate	20/400
HDMI		
R4812	HDMI Port	10/200

COMMUNICATION & HOSPITALITY

2 MODULE

White | Silver Grey | Galaxy Black

Dimensions (mm): 61.75 (x 61.75) | Depth (mm): Foot: 26.5mm / 1.04in | 26.5mm | Volume Control: 30.25mm / 1.19in | 30.25mm

Switch IP Rating: IP20

Cat No	Material Description	Inner/Outer Case Lot
VOLUME CONTROLLER & BUZZER		
R4300	Volume Controller	5/100
R4401	Buzzer	5/100
DND-CMR		
R4604	DND-CMR Internal Indicator	5/100
R4605	DND-CMR External Indicator	5/100

COMMUNICATION & HOSPITALITY

3 MODULE

White | Silver Grey | Galaxy Black

Dimensions (mm): 61.75 (x 61.75) (x 61.75) | Terminal Size: 4.5mm

IP Rating: IP20

Cat No	Material Description	Inner/Outer Case Lot
R5500	30A Electronic Key Tag	2/20

COMMUNICATION & HOSPITALITY

4 MODULE

White | Silver Grey | Galaxy Black

Dimensions (mm): 60.00 (x 67.50) (x 40.00) | Output: 10W / 220V

IP Rating: IP20

Cat No	Material Description	Inner/Outer Case Lot
R1542	Shower Socket	1/10

SAFETY DEVICES

1 MODULE

White | Silver Grey | Galaxy Black

Dimensions (mm): 61.75 (x 77.00) (x 44.00) | Terminal Size: 4.5mm | Breaking Capacity: 3000A

IP Rating: IP20

Cat No	Material Description	Inner/Outer Case Lot
R11 (6-32)A SP	6A-32A Single Pole Tiny Trip	10/100

SAFETY DEVICES

2 MODULE

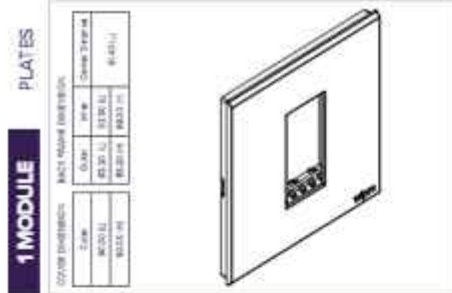
White | Silver Grey | Galaxy Black

Dimensions (mm): 61.75 (x 67.50) (x 44.00) | Terminal Size: 4.5mm | Breaking Capacity: 3000A

IP Rating: IP20

Cat No	Material Description	Inner/Outer Case Lot
R11 (6-32)A DP	6A-32A Double Pole Tiny Trip	4/50

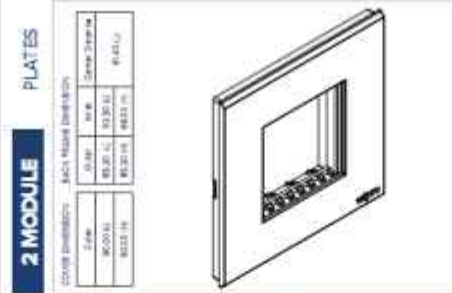
ARTISA SWITCH/SOCKET/ACCESSORIES



Materials	Material Description	Cat No
	White	RP911
	Silver Grey	RP911SGREY
	Galaxy Black	RP911GBLK
	Champagne Gold	RP911CGOLD
	Matt Black	RP911MBLCK

REAL MATERIAL

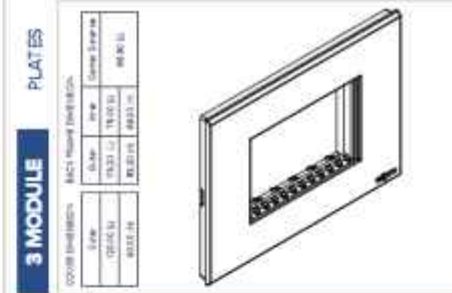
	Aqua Green	RD911GLAAG
	Frozen Matt	RD911GLAFM
	Dapper Black	RD911GLADB
	Retro Bronze	RD911METRB
	Abstract Silver	RD911METAS
	Cherry Mahogany	RD911WOOCM
	Natural Teak	RD911WOONT



Materials	Material Description	Cat No
	White	RP922
	Silver Grey	RP922SGREY
	Galaxy Black	RP922GBLK
	Champagne Gold	RP922CGOLD
	Matt Black	RP922MBLCK

REAL MATERIAL

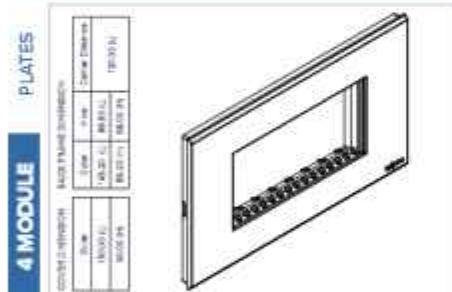
	Aqua Green	RD922GLAAG
	Frozen Matt	RD922GLAFM
	Dapper Black	RD922GLADB
	Retro Bronze	RD922METRB
	Abstract Silver	RD922METAS
	Cherry Mahogany	RD922WOOCM
	Natural Teak	RD922WOONT
	Backgrid Plate	RB922BACKF



Materials	Material Description	Cat No
	White	RP933
	Silver Grey	RP933SGREY
	Galaxy Black	RP933GBLK
	Champagne Gold	RP933CGOLD
	Matt Black	RP933MBLCK

REAL MATERIAL

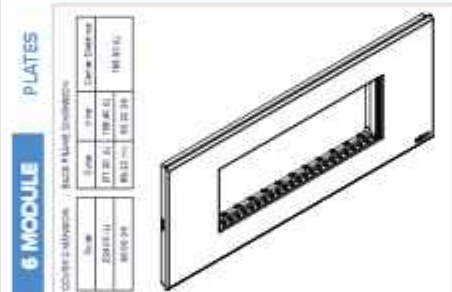
	Aqua Green	RD933GLAAG
	Frozen Matt	RD933GLAFM
	Dapper Black	RD933GLADB
	Retro Bronze	RD933METRB
	Abstract Silver	RD933METAS
	Cherry Mahogany	RD933WOOCM
	Natural Teak	RD933WOONT
	Backgrid Plate	RB933BACKF



Materials	Material Description	Cat No
	White	RP944
	Silver Grey	RP944SGREY
	Galaxy Black	RP944GBLK
	Champagne Gold	RP944CGOLD
	Matt Black	RP944MBLCK

REAL MATERIAL

	Aqua Green	RD944GLAAG
	Frozen Matt	RD944GLAFM
	Dapper Black	RD944GLADB
	Retro Bronze	RD944METRB
	Abstract Silver	RD944METAS
	Cherry Mahogany	RD944WOOCM
	Natural Teak	RD944WOONT
	Backgrid Plate	RB944BACKF



Materials	Material Description	Cat No
	White	RP966
	Silver Grey	RP966SGREY
	Galaxy Black	RP966GBLK
	Champagne Gold	RP966CGOLD
	Matt Black	RP966MBLCK

REAL MATERIAL

	Aqua Green	RD966GLAAG
	Frozen Matt	RD966GLAFM
	Dapper Black	RD966GLADB
	Retro Bronze	RD966METRB
	Abstract Silver	RD966METAS
	Cherry Mahogany	RD966WOOCM
	Natural Teak	RD966WOONT
	Backgrid Plate	RB966BACKF

ARTISA SWITCH/SOCKET/ACCESSORIES

8 MODULE HORIZONTAL PLATES

COVER DIMENSIONS:

Size	Depth	Mounting Hole	Mounting Hole
180x50 (7.1)	27 (1.1)	20 (0.8)	20 (0.8)

BACK PLATE DIMENSIONS:

Size	Depth	Mounting Hole	Mounting Hole
180x50 (7.1)	27 (1.1)	20 (0.8)	20 (0.8)

Materials	Material Description	Cat No
	White	RP968H
	Silver Grey	RP968HSGREY
	Galaxy Black	RP968HGBLK
	Champagne Gold	RP968HCGOLD
	Matt Black	RP968HMBLCK

REAL MATERIAL

	Aqua Green	RP968HGLAAG
	Frozen Matt	RP968HGLAFM
	Dapper Black	RP968HGLADB
	Retro Bronze	RP968HMETRB
	Abstract Silver	RP968HMETAS
	Cherry Mahogany	RP968HWOOCH
	Natural Teak	RP968HWOONT
	Backgrid Plate	RB968HBACKF

8 MODULE SQUARE PLATES

COVER DIMENSIONS:

Size	Depth	Mounting Hole	Mounting Hole
180x50 (7.1)	27 (1.1)	20 (0.8)	20 (0.8)

BACK PLATE DIMENSIONS:

Size	Depth	Mounting Hole	Mounting Hole
180x50 (7.1)	27 (1.1)	20 (0.8)	20 (0.8)

Materials	Material Description	Cat No
	White	RP968S
	Silver Grey	RP968SSGREY
	Galaxy Black	RP968SGBLK
	Champagne Gold	RP968SCGOLD
	Matt Black	RP968SMBLCK

REAL MATERIAL

	Aqua Green	RD968SGLAAG
	Frozen Matt	RD968SGLAFM
	Dapper Black	RD968SGLADB
	Retro Bronze	RD968SMETRB
	Abstract Silver	RD968SMETAS
	Cherry Mahogany	RD968SWOOCH
	Natural Teak	RD968SWOONT
	Backgrid Plate	RB968SBACKF

12 MODULE PLATES

COVER DIMENSIONS:

Size	Depth	Mounting Hole	Mounting Hole
270x50 (10.6)	27 (1.1)	20 (0.8)	20 (0.8)

BACK PLATE DIMENSIONS:

Size	Depth	Mounting Hole	Mounting Hole
270x50 (10.6)	27 (1.1)	20 (0.8)	20 (0.8)

Materials	Material Description	Cat No
	White	RP9712S
	Silver Grey	RP9712SSGREY
	Galaxy Black	RP9712SGBLK
	Champagne Gold	RP9712SCGOLD
	Matt Black	RP9712SMBLCK

REAL MATERIAL

	Aqua Green	RD9712SGLAAG
	Frozen Matt	RD9712SGLAFM
	Dapper Black	RD9712SGLADB
	Retro Bronze	RD9712SMETRB
	Abstract Silver	RD9712SMETAS
	Cherry Mahogany	RD9712SWOOCH
	Natural Teak	RD9712SWOONT
	Backgrid Plate	RB9712SBACKF

16 MODULE PLATES

COVER DIMENSIONS:

Size	Depth	Mounting Hole	Mounting Hole
360x50 (14.2)	27 (1.1)	20 (0.8)	20 (0.8)

BACK PLATE DIMENSIONS:

Size	Depth	Mounting Hole	Mounting Hole
360x50 (14.2)	27 (1.1)	20 (0.8)	20 (0.8)

Materials	Material Description	Cat No
	White	RP9716S
	Silver Grey	RP9716SSGREY
	Galaxy Black	RP9716SGBLK
	Champagne Gold	RP9716SCGOLD
	Matt Black	RP9716SMBLCK

REAL MATERIAL

	Aqua Green	-
	Frozen Matt	-
	Dapper Black	-
	Retro Bronze	-
	Abstract Silver	-
	Cherry Mahogany	-
	Natural Teak	-
	Backgrid Plate	-

18 MODULE PLATES

COVER DIMENSIONS:

Size	Depth	Mounting Hole	Mounting Hole
540x50 (21.3)	27 (1.1)	20 (0.8)	20 (0.8)

BACK PLATE DIMENSIONS:

Size	Depth	Mounting Hole	Mounting Hole
540x50 (21.3)	27 (1.1)	20 (0.8)	20 (0.8)

Materials	Material Description	Cat No
	White	RP9718S
	Silver Grey	RP9718SSGREY
	Galaxy Black	RP9718SGBLK
	Champagne Gold	RP9718SCGOLD
	Matt Black	RP9718SMBLCK

REAL MATERIAL

	Aqua Green	-
	Frozen Matt	-
	Dapper Black	-
	Retro Bronze	-
	Abstract Silver	-
	Cherry Mahogany	-
	Natural Teak	-
	Backgrid Plate	-

stylus⁺

dual mounting
mechanism

Reliability Reimagined

Experience a stylish, dependable, and long-lasting solution with the Wipro Stylus+ range. Crafted with a modern design and a robust mounting mechanism, Stylus+ is a reliable switch that effortlessly stands the test of time.

Collarless Elegance:

Bold broad switches for an unapologetic stately appeal.

Premium Surface:

High-quality UV-stabilized virgin polycarbonate body with a high-gloss finish.



Safety Spark Shield:

Protective spark shield contains potential arcs, ensuring user safety.



Silver Touch Contacts:

Copper rivets with AgCdO coating ensures a longer lifespan with a high current-carrying capacity.

Terminal Protection:

IP2X rated terminal bushes with captive screws for safe installation.



Heat-Resistant Plunger:

Use of GF Nylon plungers within the rocker mechanism that resist melting even under heavy loads.

Steel Anchor Strip with Dual Mounting Option:

Option of simple snap fitting and durable screw fitting on plates with a metal mounting frame ensures a robust and long-lasting fitment.



White



Euro White



Silver Grey

Timeless Innovation

The dependable switch that never falters. With a perma-fit mounting system, the Convex range effortlessly handles rough usage. Explore a diverse portfolio which includes SS 304 grade plates, high-quality FR grade PC modules for various environmental conditions, and reliable safety modules like Tiny Trip modular MCBs and motorstarters.

Lab Ready Switches:

Food-grade SS304 plates with metal back plates for easy cleaning and robust mounting.

Premium Surface:

High-quality UV-stabilized virgin polycarbonate body with a high-gloss finish.



Silver Touch Contacts:

Copper rivets with AgCdO coating ensures a longer lifespan with a high current-carrying capacity.



Safety Spark Shield:

Protective spark shield contains potential arcs, ensuring user safety.

Terminal Protection:

IP2X rated terminal bushes with captive screws for safe installation.



Heat-Resistant Plunger:

Use of GF Nylon plungers within the rocker mechanism that resist melting even under heavy loads.



Perma-Fit Assembly:

Screw mounting of switches on plates with a metal mounting frame ensures a robust and long-lasting fitment.



White



Euro White



Silver Grey

STYLUS+ & CONVEX SWITCH/SOCKET/ACCESSORIES

1 MODULE STYLUS+ SWITCHES

White Euro White Silver Grey

Dimensions (mm): 67.75 (± 0.25) x 24.75 (± 0.25) | Terminal Size (in. mm): 6A 15A - 130 Sq. mm, 16A 20A - 130 Sq. mm

WITH INDICATOR

IP Rating: IP20

Cat No	Material Description	Inner/Outer Case Lot
SR110-PLUS	6A Ono-Way - PLUS	20/500
SR111-PLUS	6A Ono-Way LED - PLUS	20/500
SR130-PLUS	16A Ono-Way - PLUS	20/500
SR131-PLUS	16A Ono-Way LED - PLUS	20/500
SR210-PLUS	6A Two-Way - PLUS	20/500
SR211-PLUS	6A Two-Way LED - PLUS	20/500
SR230-PLUS	16A Two-Way - PLUS	20/500
SR310-PLUS	6A Bolt Push - PLUS	20/500
SR311-PLUS	6A Bolt Push LED - PLUS	20/500

1 MODULE CONVEX SWITCHES

White Euro White Silver Grey

Dimensions (mm): 67.75 (± 0.25) x 24.75 (± 0.25) | Terminal Size (in. mm): 6A 15A - 130 Sq. mm, 16A 20A - 130 Sq. mm

IP Rating: IP20

Cat No	Material Description	Inner/Outer Case Lot
M0110	6A Switch 1-Way	20/600
M0111	6A Switch 1-Way LED	20/600
M0210	6A Switch 2-Way	20/600
M0310	6A Bolt Push	20/600
M0311	6A Bolt Push LED	20/600
M0150	16A Switch 1-Way	20/600
M0151	16A Switch 1-Way LED	20/600
M0250	16A Switch 2-Way	20/600

2 MODULE CONVEX SWITCHES

White Euro White Silver Grey

Dimensions (mm): 67.75 (± 0.25) x 49.5 (± 0.25) | Terminal Size (in. mm): 6A 15A - 130 Sq. mm, 16A 20A - 130 Sq. mm

IP Rating: IP20

Cat No	Material Description	Inner/Outer Case Lot
M0340	6A Palm Bolt Push	10/300
M0341	6A Palm Bolt Push LED	10/300
M0440	16A Palm Switch 1-Way	10/300
M0551	16A D.P.S.T. with Indicator	10/300

2 MODULE SOCKETS

White Euro White Silver Grey

Dimensions (mm): 68.67 (± 0.25) x 30.0 (± 0.25) | Terminal Size (in. mm): 6A 15A - 130 Sq. mm, 16A 20A - 130 Sq. mm

ROUND PIN POWER SOCKET IS

IP Rating: IP20

Cat No	Material Description	Inner/Outer Case Lot
M1212-PLUS	6A 2/2 Pin Socket - PLUS	10/300
M1332-PLUS	6/16A 6-Pin Socket - PLUS	10/300
M1352-PLUS	6/16A 6-Pin Heavy Duty Socket - PLUS	10/300

1 & 2 MODULE FAN REGULATORS & DIMMERS

White Euro White Silver Grey

Dimensions (mm): 96.67 (± 0.25) x 47.25 (± 0.25) | Cable Size (AWG): 18/20 | Weight (g): 161.00 (± 0.05) | 241.00 (± 0.05)

IP Rating: IP20

Cat No	Material Description	Inner/Outer Case Lot
M1700-PLUS	Fan Stop Regulator 1M - PLUS	10/400
M1900-PLUS	Fan Reg. 6 Position with 360° - PLUS	5/200
M1800-PLUS	Fan Reg. 4 Position Stop Type - PLUS	5/200
M1500-PLUS	1M Dimmer 300 Watts - PLUS	10/400
M2700-PLUS	2M Dimmer 1000 Watts - PLUS	1/20

1 MODULE COMMUNICATION & HOSPITALITY

White Euro White Silver Grey

Dimensions (mm): 67.75 (± 0.25)

IP Rating: IP20

Cat No	Material Description	Inner/Outer Case Lot
M4797-PLUS	Co-Axial T.V. Socket 1-Point - PLUS	20/500
M4900S-PLUS	RJ11 Telephone Jack with shutter - PLUS	20/500
M4700-PLUS	Twon RJ11 Telephone Outlet - PLUS	20/500
M5200-PLUS	RJ 45 Cat 6 Socket with Shutter - PLUS	20/500

1 & 2 MODULE COMMUNICATION & HOSPITALITY

White Euro White Silver Grey

Dimensions (mm): 96.67 (± 0.25) x 24.75 (± 0.25)

IP Rating: IP20

Cat No	Material Description	Inner/Outer Case Lot
M4401-PLUS	Buzzer with Indicator 1M - PLUS	10/300
M4501-PLUS	1M Indicator (DND) - PLUS	10/300
M4602-PLUS	1M Indicator (CMR) - PLUS	10/300
M4300	Volume Control	5/200
FL921	LED Footlight 2M	12/360

1 MODULE COMMUNICATION & HOSPITALITY

White Euro White Silver Grey

Dimensions (mm): 96.67 (± 0.25) x 24.75 (± 0.25) | Weight (g): 161.00 (± 0.05) | 241.00 (± 0.05)

IP Rating: IP20

Cat No	Material Description	Inner/Outer Case Lot
M3900-PLUS	Blanking Plate - PLUS	20/600
M4500-PLUS	Telephone Cord Outlet - PLUS	20/600
M4800-PLUS	Indicator - PLUS	20/600
M4921-PLUS	USB Charger 2A	10/400

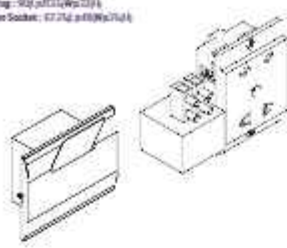
STYLUS+ & CONVEX SWITCH/SOCKET/ACCESSORIES

COMMUNICATION & HOSPITALITY

2 & 3 MODULE

Options: Silver Grey, Euro White, White

Dimension (mm):
Key Tag: 92 (ø) x 14 (W) x 22 (H)
Shower Socket: 67 (ø) x 68 (W) x 44 (H)




To provision additional clearance for IVD (optional) use.

Cat No	Material Description	Inner/Outer Case Lot
SR5500	Electronic Key Tag Switch 25A	1/48
MS42-PLUS	Shower Socket 240V & 110V -PLUS	5/150

1 MODULE PLATES

COVER DIMENSIONS: BACK PLATE DIMENSIONS

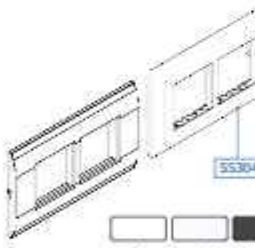


White Euro White Silver Grey

Cat No	Material Description	Pack Nos
CS911M-PLUS	1 Module Plate - PLUS	10/240
MP771MSB00	1 Module Metallic SS-Brush Finish Plate	5/-

4 MODULE PLATES

COVER DIMENSIONS: BACK PLATE DIMENSIONS



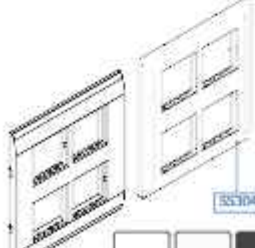
White Euro White Silver Grey

Cat No	Material Description	Pack Nos
CS944M-PLUS	4 Module Plate - PLUS	10/240
MP744MSB00	4 Module Metallic SS-Brush Finish Plate	5/-

SQUARE PLATES

8 MODULE

COVER DIMENSIONS: BACK PLATE DIMENSIONS



White Euro White Silver Grey

Cat No	Material Description	Pack Nos
CS968MS-PLUS	8 Module Vertical Plate - PLUS	10/80
MP768MSB00	8 Module Metallic SS-Brush Finish Plate	5/-

SAFETY DEVICES

1 & 2 MODULE

Options: Silver Grey, Euro White, White

Dimension (mm):
CT: 67 (ø) x 24 (W) x 20 (H)
CT: 67 (ø) x 40 (W) x 24 (H)
MS: 67 (ø) x 40 (W) x 80 (H)

Terminal Size (ø) (mm):
6A: 2.5 - 3.0 mm

Breaking Capacity:
6.3 kA




IP Rating: IP20

Cat No	Material Description	Inner/Outer Case Lot
CTT(6-32)ASF	6A - 32A Single Pole Tiny Trip 1M	12/48
CTT(6-32)ADP	6A - 32A Double Pole Tiny Trip 2M	6/24
CT12M01H-U (18A-25A)	18A/25A Single Phase Motor Starter Switch 2M	20/-

2 MODULE PLATES

COVER DIMENSIONS: BACK PLATE DIMENSIONS




White Euro White Silver Grey

Cat No	Material Description	Pack Nos
CS922M-PLUS	2 Module Plate - PLUS	10/240
MP722MSB00	2 Module Metallic SS-Brush Finish Plate	5/-

6 MODULE PLATES

COVER DIMENSIONS: BACK PLATE DIMENSIONS

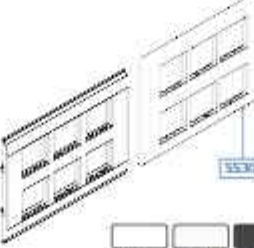


White Euro White Silver Grey

Cat No	Material Description	Pack Nos
CS966MS-PLUS	6 Module Plate - PLUS	5/120
MP766MSB00	6 Module Metallic SS-Brush Finish Plate	5/-

12 MODULE PLATES

COVER DIMENSIONS: BACK PLATE DIMENSIONS



White Euro White Silver Grey

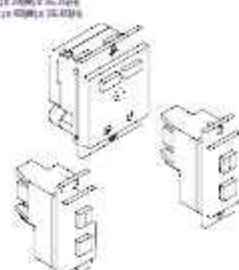
Cat No	Material Description	Pack Nos
CS972MS-PLUS	12 Module Plate - PLUS	10/20
MPS712MSGB	12 Module Metallic SS-Brush Finish Plate	5/-

SPECIAL SKU

1 & 2 MODULE

Options: Silver Grey, Euro White, White

Dimension (mm):
M3: 67 (ø) x 24 (W) x 35 (H)
M4: 67 (ø) x 40 (W) x 35 (H)

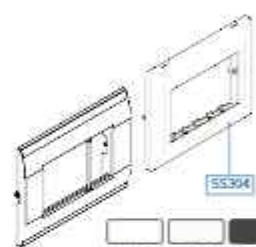


IP Rating: IP20

Cat No	Material Description	Inner/Outer Case Lot
M3012-PLUS	6A Integral Switches Socket -PLUS	10/250
M0431	16A Push Button Switch	10/300
M0451	25A Push Button Switch	10/300

3 MODULE PLATES

COVER DIMENSIONS: BACK PLATE DIMENSIONS



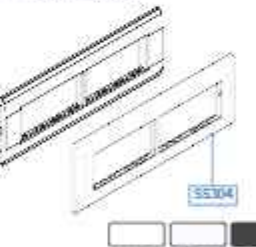
White Euro White Silver Grey

Cat No	Material Description	Pack Nos
CS933MS-PLUS	3 Module Plate - PLUS	10/240
MP733MSB00	3 Module Metallic SS-Brush Finish Plate	5/-

HORIZONTAL PLATES

8 MODULE

COVER DIMENSIONS: BACK PLATE DIMENSIONS




White Euro White Silver Grey

Cat No	Material Description	Pack Nos
CS968M-H-PLUS	8 Module Horizontal Plate - PLUS	5/120
MP768MHSB00	8 Module Metallic SS-Brush Finish Plate	5/-

18 MODULE PLATES

COVER DIMENSIONS: BACK PLATE DIMENSIONS



White Euro White Silver Grey

Cat No	Material Description	Pack Nos
CS978MS-PLUS	18 Module Plate - PLUS	10/20

NOWA

designed for you



Switch to Modern

Elevate your living space with NOWA, where contemporary elegance meets unmatched value. Our switches feature a sleek and modern design, coupled with advanced safety features, offering you a durable and high-quality range that stands the test of time.

Premium Aesthetics

Virgin polycarbonate body, high-gloss finish exudes a sleek, modern look.



Nowa Soft



Regular Switch



Reliably Soft

Enduring softness and worry-free comfort.
300,000 operations guaranteed.

Enhanced Safety

Double-knob design for complete spark shield.

Compact Design

Slim accessories (<40mm) designed for clutter-free installation.

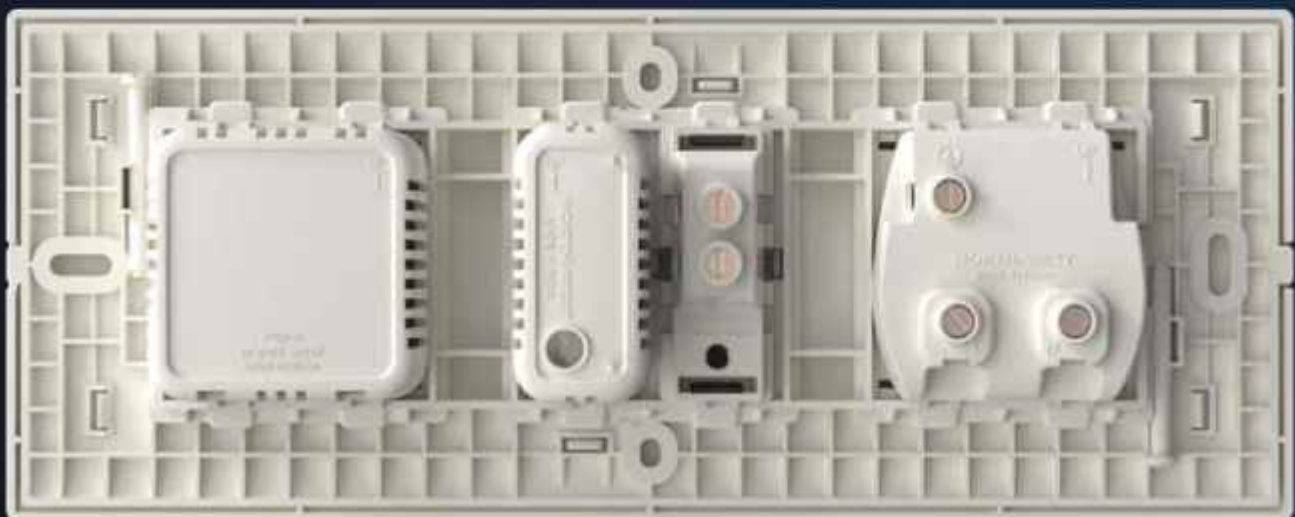


Convenience Plugged In

Slide, plug, and play hassle-free – no pen needed!

Reliable Connections

Silver-coated connectors for increased conductivity.



Unmatched Strength

Innovative cube grid structure delivers exceptional durability.

Long Lasting

Brass terminal bushes for corrosion-resistant connections.

Effortless Installation

IP2X-rated screws and concealed terminals for a safe, easy installation.



Matt Black

Bold. Enigmatic. Define Your Space.



Silver Grey

Modern. Stylish. Undeniably You.



White

Pristine. Reliable. Your Canvas.

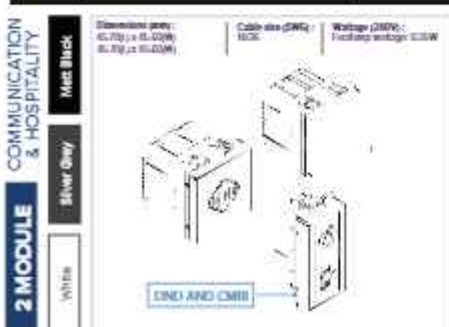
NOWA SWITCH/SOCKET/ACCESSORIES



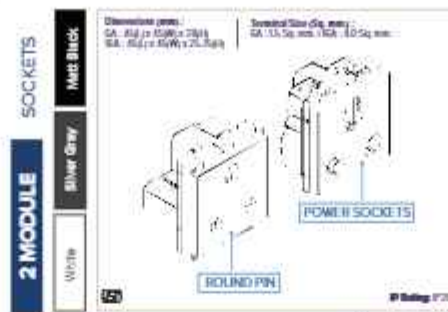
Cat No	Material Description	Inner/Outer Case Lot
A010	Switch 6A One Way	20/600
A0120	Switch 10A One Way	20/600
A0130	Switch 16A One Way	20/600
A0160	Switch 20A One Way	20/600
A0150	Switch 25A One Way	20/600
A0310	Ball Push 6A	20/600
A010CMR	Switch 6A One Way - CMR	20/600
A010DND	Switch 6A One Way - DND	20/600
A0111	Switch 6A One Way with Indicator	20/600
A0121	Switch 10A One Way with Indicator	20/600
A0231	Switch 16A One Way with Indicator	20/600
A0161	Switch 20A One Way with Indicator	20/600
A0151	Switch 25A One Way with Indicator	20/600
A0311	Ball Push 6A with Indicator	20/600
A0210	Switch 6A Two Way	20/600
A0230	Switch 16A Two Way	20/600



Cat No	Material Description	Inner/Outer Case Lot
A0341	Ball Push 6A with Indicator - Point	10/300
A0551	Switch 32A One Way with Indicator - DP	10/300



Cat No	Material Description	Inner/Outer Case Lot
A4401	Buzzer 2M	8/160
AFL922	Led Night Lamp (Foot Light)	6/120
A4603	DND and CMI Comb	20/400



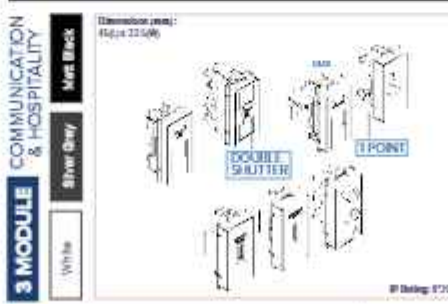
Cat No	Material Description	Inner/Outer Case Lot
A1212	Socket 6A 3 Pin Round Pin	10/300
A1332	Socket 6/16A 3 Pin - Power	10/300
A1352	Socket 6/16A 6 Pin - Heavy Duty Power	10/300



Cat No	Material Description	Inner/Outer Case Lot
A1700	Fan Regulator 4+1 Position Stop Type	10/300
A1500	Dimmer 400W	10/300



Cat No	Material Description	Inner/Outer Case Lot
A1900	Regulator 5+1 Position Stop Type	6/120
A2700	Dimmer 1000W	6/120



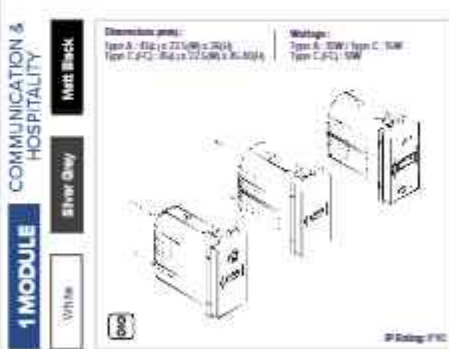
Cat No	Material Description	Inner/Outer Case Lot
A4900	Telephone Socket with Single Shutter	20/600
A4700	Telephone Socket with Double Shutter	20/600
A5200	Computer Socket with Shutter - Cat E	10/200
A4910	Nowa USB Port	5/100
A4910	Nowa HDMI Port	5/100
A4910	Nowa RCA Socket	5/100



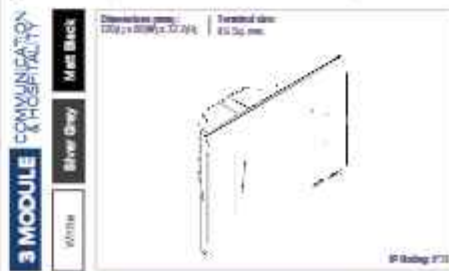
Cat No	Material Description	Inner/Outer Case Lot
A3900	Nowa Blanking Plate	40/200
A4500	Nowa Cord Outlet	20/600
A4600	Nowa Indicator Lamp - LED	20/300



Cat No	Material Description	Inner/Outer Case Lot
ATT(6-32)ADF	6A - 32A Double Pole Tiny Trip	4/32
ATT(6-32)ASP	6A - 32A Single Pole Tiny Trip	10/80
AMS(20-25)A	20A - 25A Single Phase Motor Starter Switch	4/32



Cat No	Material Description	Inner/Outer Case Lot
A4921	USB Charger 2A Nowa	5/100
A4931	3A USB Type C Charger	5/100
A4932	3A TypeC Fast Charger - White - IM	5/100



Cat No	Material Description	Inner/Outer Case Lot
A5500	Electronic Key Tag - 20A	1/20

NOWA SWITCH/SOCKET/ACCESSORIES

1 MODULE PLATES

COVER DIMENSION: 100.00 (mm) x 100.00 (mm)
 BACK PLATE DIMENSION: 100.00 (mm) x 100.00 (mm)

White Silver Gray Matt Black

Cat No	Material Description	Pack Nos
AP911	1M Plate with Frame	10/360

3 MODULE PLATES W/O RIB

COVER DIMENSION: 100.00 (mm) x 100.00 (mm)
 BACK PLATE DIMENSION: 100.00 (mm) x 100.00 (mm)

White Silver Gray Matt Black

Cat No	Material Description	Pack Nos
AP933M	3M Plate with Frame w/o Rib	10/240

8 MODULE HORIZONTAL PLATES

COVER DIMENSION: 100.00 (mm) x 100.00 (mm)
 BACK PLATE DIMENSION: 100.00 (mm) x 100.00 (mm)

White Silver Gray Matt Black

Cat No	Material Description	Pack Nos
AP968H	8MH Plate with Frame (Horizontal)	5/720

12 MODULE PLATES

COVER DIMENSION: 100.00 (mm) x 100.00 (mm)
 BACK PLATE DIMENSION: 100.00 (mm) x 100.00 (mm)

White Silver Gray Matt Black

Cat No	Material Description	Pack Nos
AP9712S	12M Plate with Frame	5/30

2 MODULE PLATES

COVER DIMENSION: 100.00 (mm) x 100.00 (mm)
 BACK PLATE DIMENSION: 100.00 (mm) x 100.00 (mm)

White Silver Gray Matt Black

Cat No	Material Description	Pack Nos
AP922	2M Plate with Frame	10/360

4 MODULE PLATES

COVER DIMENSION: 100.00 (mm) x 100.00 (mm)
 BACK PLATE DIMENSION: 100.00 (mm) x 100.00 (mm)

White Silver Gray Matt Black

Cat No	Material Description	Pack Nos
AP944	4M Plate with Frame	8/192

8 MODULE SQUARE PLATES

COVER DIMENSION: 100.00 (mm) x 100.00 (mm)
 BACK PLATE DIMENSION: 100.00 (mm) x 100.00 (mm)

White Silver Gray Matt Black

Cat No	Material Description	Pack Nos
AP968S	8M S-Plate with Frame (Square)	5/96

16 MODULE PLATES

COVER DIMENSION: 100.00 (mm) x 100.00 (mm)
 BACK PLATE DIMENSION: 100.00 (mm) x 100.00 (mm)

White Silver Gray Matt Black

Cat No	Material Description	Pack Nos
AP9716S	16 Module Plate	5/50

3 MODULE PLATES

COVER DIMENSION: 100.00 (mm) x 100.00 (mm)
 BACK PLATE DIMENSION: 100.00 (mm) x 100.00 (mm)

White Silver Gray Matt Black

Cat No	Material Description	Pack Nos
AP933	3M Plate with Frame	10/240

6 MODULE PLATES

COVER DIMENSION: 100.00 (mm) x 100.00 (mm)
 BACK PLATE DIMENSION: 100.00 (mm) x 100.00 (mm)

White Silver Gray Matt Black

Cat No	Material Description	Pack Nos
AP956	6M Plate with Frame	5/120

9 MODULE PLATES

COVER DIMENSION: 100.00 (mm) x 100.00 (mm)
 BACK PLATE DIMENSION: 100.00 (mm) x 100.00 (mm)

White Silver Gray Matt Black

Cat No	Material Description	Pack Nos
AP979	9M Plate with Frame	5/60

18 MODULE PLATES

COVER DIMENSION: 100.00 (mm) x 100.00 (mm)
 BACK PLATE DIMENSION: 100.00 (mm) x 100.00 (mm)

White Silver Gray Matt Black

Cat No	Material Description	Pack Nos
AP9718S	18M Plate with Frame	5/20

venia

THE SLEEK PERFORMER

Chic Switches, Smart Savings

Experience Venia's captivating mix of sleek aesthetics and great value. With a rich satin finish and sturdy design, Venia brings style and functionality to your space.



Fade-Defying Beauty

UV-stabilized polycarbonate ensures long-lasting resistance to fading and cracking.



Timeless Elegance

Satin finish plates that seamlessly blend into your wall decor, adding a touch of sophistication.



Built to Last

Reliable switches with solid brass terminals for long-lasting performance.



Rock-Solid Support

Diamond grid structure for exceptional strength and rigidity.

Safe & Simple Installation

IP2X-rated captive screws for easy and secure installation.



White

Simple. Sensible.
Reliable.

Dark Grey

Accessible.
Functional.
Dependable.



VENIA SWITCH/SOCKET/ACCESSORIES

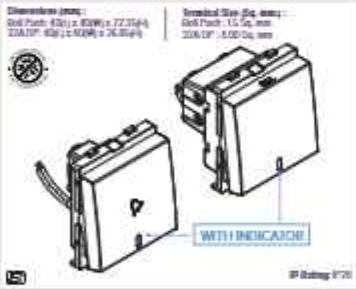
SWITCHES

1 MODULE



Cat No	Material Description	Inner/Outer Case Lot
B0110	Switch 6A One Way	20/600
B0111	Switch 6A One Way with Indicator	20/600
B0210	Switch 6A Two Way	20/600
B0120	Switch 10A One Way	20/600
B0220	Switch 10A Two Way	20/600
B0130	Switch 16A One Way	20/600
B0131	Switch 16A One Way with Indicator	20/600
B0230	Switch 16A Two Way	20/600
B0160	Switch 20A One Way	20/600
B0161	Switch 20A One Way with Indicator	20/600
B0150	Switch 25A One Way	20/600
B0151	Switch 25A One Way with Indicator	20/600
B0310	Roll Push 6A	20/600
B0311	Roll Push 6A with Indicator	20/600

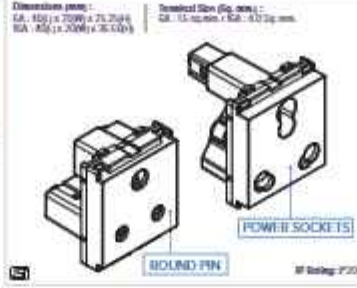
2 MODULE



Cat No	Material Description	Inner/Outer Case Lot
B0341	Roll Push 6A with Indicator - Palm	10/300
B0551	Switch 32A One Way with Indicator - DP	10/300

SOCKETS

2 MODULE



Cat No	Material Description	Inner/Outer Case Lot
B0341	Roll Push 6A with Indicator - Palm	10/300
B0551	Switch 32A One Way with Indicator - DP	10/300

FAN REGULATORS

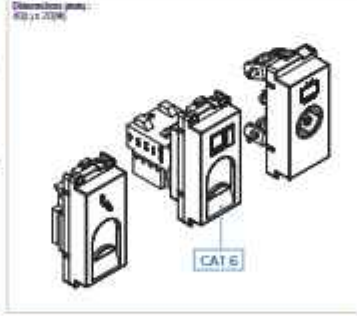
1 MODULE



Cat No	Material Description	Inner/Outer Case Lot
B0341	Roll Push 6A with Indicator - Palm	10/300
B0551	Switch 32A One Way with Indicator - DP	10/300

COMMUNICATION & HOSPITALITY

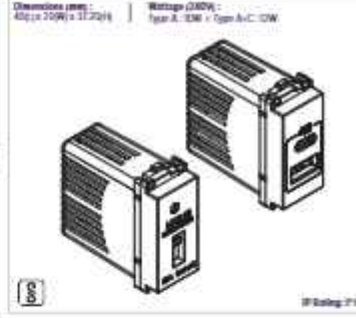
1 MODULE



Cat No	Material Description	Inner/Outer Case Lot
B4900	Telephony Socket with Single Shutter	20/600
B5200	Computer Socket with Shutter - Cat 6	20/600
B4797	Co-Axial Tv Socket 1 Point	20/600

COMMUNICATION & HOSPITALITY

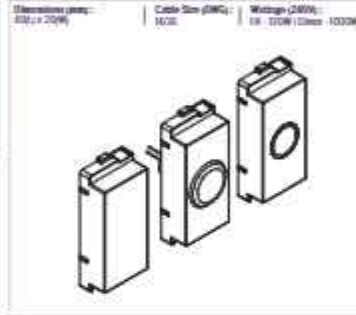
1 MODULE



Cat No	Material Description	Inner/Outer Case Lot
B4921	USB Charger 2A Type A	5/100
B4922	USB Charger 2.4A Dual Port Type A+C	5/100

COMMUNICATION & HOSPITALITY

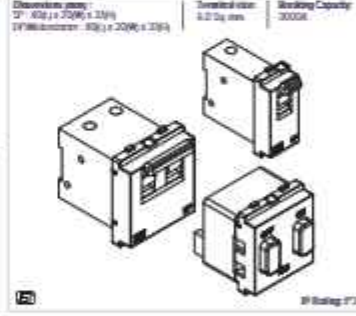
1 MODULE



Cat No	Material Description	Inner/Outer Case Lot
B3900	Blanking Plate	30/900
B4500	Cord Outlet	20/600
B4600	Indicator Lamp - LED	20/

SAFETY DEVICES

1-2 MODULE



Cat No	Material Description	Inner/Outer Case Lot
BT1(5-32)ASP	6A - 32A Single Pole Tiny Trip	10/80
BT1(5-32)ADP	6A - 32A Double Pole Tiny Trip	4/32
BMS20-25A	20A - 25A Single Phase Motor Starter Switch	4/32

VENIA SWITCH/SOCKET/ACCESSORIES

1 MODULE PLATES

COVER DIMENSIONS		BACK PLATE DIMENSIONS	
Color	Code	Color	Code
White	BP911	White	BP911
Dark Gray	BP912	Dark Gray	BP912



Cat No	Material Description	Pack Nos
BP911	1M Plate with Frame	15/360

4 MODULE PLATES

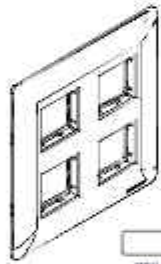
COVER DIMENSIONS		BACK PLATE DIMENSIONS	
Color	Code	Color	Code
White	BP944	White	BP944
Dark Gray	BP945	Dark Gray	BP945



Cat No	Material Description	Pack Nos
BP944	4M Plate with Frame	8/192

8 MODULE SQUARE PLATES

COVER DIMENSIONS		BACK PLATE DIMENSIONS	
Color	Code	Color	Code
White	BP968	White	BP968
Dark Gray	BP969	Dark Gray	BP969



Cat No	Material Description	Pack Nos
BP968	8MS Plate with Frame (Square)	5/120

16 MODULE PLATES

COVER DIMENSIONS		BACK PLATE DIMENSIONS	
Color	Code	Color	Code
White	BP976	White	BP976
Dark Gray	BP977	Dark Gray	BP977



Cat No	Material Description	Pack Nos
BP976	16M Plate with Frame	5/-

2 MODULE PLATES

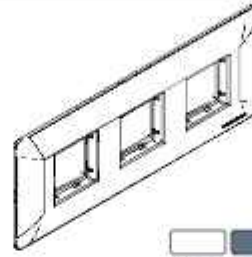
COVER DIMENSIONS		BACK PLATE DIMENSIONS	
Color	Code	Color	Code
White	BP922	White	BP922
Dark Gray	BP923	Dark Gray	BP923



Cat No	Material Description	Pack Nos
BP922	2M Plate with Frame	15/360

6 MODULE PLATES

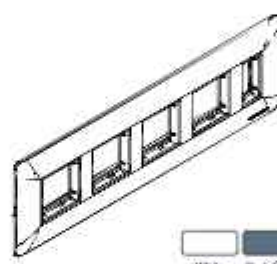
COVER DIMENSIONS		BACK PLATE DIMENSIONS	
Color	Code	Color	Code
White	BP956	White	BP956
Dark Gray	BP957	Dark Gray	BP957



Cat No	Material Description	Pack Nos
BP956	6M Plate with Frame	5/120

9 MODULE PLATES

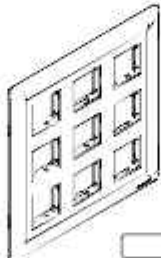
COVER DIMENSIONS		BACK PLATE DIMENSIONS	
Color	Code	Color	Code
White	BP979	White	BP979
Dark Gray	BP980	Dark Gray	BP980



Cat No	Material Description	Pack Nos
BP979	9M Plate with Frame	5/-

18 MODULE PLATES

COVER DIMENSIONS		BACK PLATE DIMENSIONS	
Color	Code	Color	Code
White	BP978	White	BP978
Dark Gray	BP979	Dark Gray	BP979



Cat No	Material Description	Pack Nos
BP978	18M Plate with Frame	5/20

3 MODULE PLATES

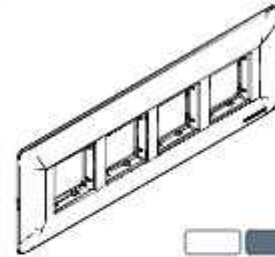
COVER DIMENSIONS		BACK PLATE DIMENSIONS	
Color	Code	Color	Code
White	BP933	White	BP933
Dark Gray	BP934	Dark Gray	BP934



Cat No	Material Description	Pack Nos
BP933	3M Plate with Frame	10/240

8 MODULE HORIZONTAL PLATES

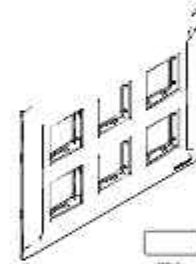
COVER DIMENSIONS		BACK PLATE DIMENSIONS	
Color	Code	Color	Code
White	BP958H	White	BP958H
Dark Gray	BP959H	Dark Gray	BP959H



Cat No	Material Description	Pack Nos
BP958H	8Mh Plate with Frame	5/120

12 MODULE PLATES

COVER DIMENSIONS		BACK PLATE DIMENSIONS	
Color	Code	Color	Code
White	BP972	White	BP972
Dark Gray	BP973	Dark Gray	BP973



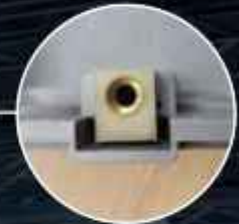
Cat No	Material Description	Pack Nos
BP972	12M Plate with Frame	5/95

MOLDED CONCEALED BOXES

Completely rust-free construction with high-impact-resistant glass-reinforced polymer.



Brass Inserts with Dupont™ nylon lugs for long life without risk of rusting or breakage



Strong reinforcement ribs for impact resistance; electrically insulated body makes grounding of box redundant



Tested as per latest IS14772:2020 standards



Module Size	Length (mm)	Width (mm)	Depth (mm)	CD (mm)
1&2 Module	84,6	81	50	61
3 Module	103	81	50	87,5
4 Module	136	81	50	121
6 Module	209	81	50	196
8 Module H	239	81	50	215
8 Module S	132	145	62	121
12 Module S	210	145	62	195

*Lugs are not compatible with self-tapping wood screws; only machine screws supplied with plates should be used.
*Please consider dimension tolerance: +/- 0.5mm

SURFACE MOUNT MOLDED BOXES

Superior glossy finishing
for an aesthetically
pleasing look



Brass screw mounting lug
for easy and repeatable
Installation



High quality Impact resistant
construction with virgin ABS



Glow wire tested upto 650°C
for safe wiring



Metal Box Type	Length (mm)	Width (mm)	Depth (mm)	CD Hz (mm)	CD Vrt (mm)	Wall Thk (mm)
1&2 Module	86	86	50	62		2
3 Module	115	86	50	86		2
4 Module	145	86	50	120		2
6 Module	220	86	50	193		2
8 Module H	250	86	50	155	66	2
8 Module Sq	145	155	50	120	60	2
12 Module	215	155	50	193	68	2
18 Module	215	220	50	193	68	2

*Lugs are not compatible with self-tapping wood screws; only machine screws supplied with plates should be used.
*Please consider dimension tolerance: +/- 0.5mm

PROJECTION WELDED METAL BOXES

Projection welded joints for better rust protection



1.6mm heavy gauge screw lugs with plastic bushes for cement spill protection



Conveniently placed brass terminal for earth connection



Made with 120GSM GI sheet. Fully tested as per IS4772:2020 standards



Module Size	Length (mm)	Width (mm)	Depth (mm)	CD Hz (mm)	CD Vrt (mm)
1&2 Module	70.9	72	50	60.3	
3 Module	98.3	72	50	87.7	
4 Module	131.6	72	50	121	
6 Module	207.1	72	50	196.5	
8 Module H	228	77.6	50	217.4	
8 Module U	228	77.6	50	158	67
8 Module S	130.9	130.9	60	60.3	120.6
9 Module	245	77.6	50	158	67
12 Module	208.6	138	60	198	68
16 Module	229.9	143	60	160	131.6
18 Module	208.6	209	60	198	68
Tolerances	± 0.5	± 0.5	± 0.5	± 0.5	± 0.5

*Available in 1.0mm, 1.2mm, and 1.6mm sheet thicknesses.

INTERLOCKING METAL BOXES

Interlocking type construction



1.6mm heavy gauge screw lugs with plastic bushes for cement spill protection



Conveniently placed brass terminal for earth connection



Made with 120GSM GI sheet. Fully tested as per IS4772:2020 standards



Module Size	Length (mm)	Width (mm)	Depth (mm)	CD Hz (mm)	CD Vrt (mm)
1&2 Module	70.9	72	51	60.3	
3 Module	98.3	72	51	87.7	
4 Module	131.6	72	51	121	
6 Module	207.1	72	51	196.5	
8 Module H	228	77.6	51	158	67
8 Module S	133	141	51	122	63
12 Module	208.6	138	51	198	68
16 Module	229.9	143	51	160	131.6
18 Module	208.6	209	51	196	68
Tolerances	± 0.5	± 0.5	± 0.5	± 0.5	± 0.5

*Available in 1.0mm sheet thickness.

READY FIT

AC POWER UNIT

- Aesthetically pleasing design compared to metal enclosure
- High quality virgin FR ABS plastic enclosure
- Comes pre-wired with modular MCBs and high-quality plug top as standard accessories
- Options available with motor starter switch instead of modular MCB, or both
- Endpoint protection for devices with a 4.5kA breaking capacity modular MCB
- Suitable for heavy inductive loads such as higher capacity air conditioners and heavy motors
- Provides protection against high in-rush current and short circuits with adjustable motor starter unit and 4.5kA modular MCBs



Product Code	Dimension (mm)	Switchgear Rating (A)	Starter Rating (A)	Plugtop/Socket Rating (A)
NW-PUSMIT0000	118 x 94 x 80	25A	NA	16A Heavy Duty
NW-ACPUAMBIT00	150 x 94 x 80	NA	H-Type 16A	16A
NW-ACPUAMBIT00	206 x 94 x 80	25A	H-Type 16A	16A

PLUGTOP



- High-grade polycarbonate body for long-lasting product life
- High-quality brass terminals with silver plating
- Glow wire tested for 850°C
- Passed flash test at 3kV, demonstrating excellent insulation properties
- Extra clamping to hold input wires in place
- Indication lamp for easy visibility of supply status

Product Code	Dimension (mm)	Current Carrying Capacity (A)
P9111	43.0 x 46.6 x 39	6A
P9131	48.3 x 52.6 x 50	16A
P9151	48.3 x 52.6 x 50	16A Heavy Duty

OUR ESTEEMED CLIENTELE



NORTH - WEST

BANKS

- Axis Bank
- Bank of Baroda
- Citibank
- HDFC Bank
- Kotak Bank
- Punjab National Bank
- Reserve Bank of India
- Royal Bank of Scotland
- State Bank of India

EDUCATIONAL INSTITUTIONS

- Amity School, New Delhi
- Apeejay Engineering College, Sohna
- Azim Premji University, Bhopal
- Cambridge School, Dehradun & Noida
- Delhi Public School, New Delhi
- Delhi University
- Euro School, Mumbai
- G.D. Goenka Group, Delhi, NCR
- Global Institute of Sciences, Amritsar
- Gurunanak Dev University, Amritsar
- Gyanjyoti Management College, Mohali
- IIT Delhi Campus
- IIT, Delhi, Mandi
- IIM, Indore
- Indian Institute of Technology, Kanpur
- IITL Public School, New Delhi
- Lotus Valley International School, Noida
- Narsee Monji Institute of Management, Mumbai
- National Institute of Fashion Technology, New Delhi
- National Institute of Health and Family
- National Institute of Health and Family Welfare -Construction of International Hostel
- NIIT, New Delhi
- Rajeev Gandhi Law University, Punjab
- Universal High School, Mumbai
- Christ University, Bengaluru
- KLE University, Belgaum
- SS Education Society, Belgaum
- Calcutta University Arts Library
- M.P. Birla Secondary High School, Kolkata
- Board of Practical Training
- IIT, Guwahati
- IIT, Patna
- Brainware University, Barasat
- KI. University, Vijayawada
- Woxen University, Hyderabad
- Thapar University, Patiala

REALTY FIRMS

- ACME Buildcon, Mohali, Amritsar
- Ansal Group, Mumbai
- Andee City Royal Villas, Gurgaon
- Arista Realty, Mumbai
- Ashiana Group, Rajasthan
- CHD Developers, Delhi NCR
- DLF Limited
- Emaar MGF
- Equinox Realty, Mumbai
- ERA Constructions, NCR
- EROS Group, New Delhi
- Hiraniandani, Mumbai
- IREO, New Delhi, NCR
- JLPL, Mohali
- K Raheja Corp, Mumbai
- K Raheja Universal, Mumbai
- Kamdhenu Builders, Panchkula, J&K
- Kanakia Group, Mumbai

- Lavasa Constructions
- Lokhandwala Constructions
- Mahindra Lifespaces, Mumbai
- Marathon Group, Mumbai
- Nahar Group, Chennai
- Neelkanth Group, Mumbai
- Orchid Gardens, Gurgaon
- Pacifica Group, Ahmedabad
- Panchasheel Group, Delhi
- Parshwanath Developers, New Delhi
- Peninsula Group, Mumbai
- GERA, Pune
- Purvanchal Group, Delhi
- Raheja Developers, Mumbai
- Rajeev Swagraha Housing, Andhra Pradesh
- Safal Group, Ahmedabad
- Siddhi Group, Thane
- Umang Realtech, NCR
- Uniworld City, Gurgaon
- Vijayshree Group, Bengaluru
- Wadhwa Group, Mumbai
- AWHO, Chennai & Kochi
- Green Shapes Developers, Bengaluru
- Adithi Constructions, Bengaluru
- DNDL Constructions, Guntur
- DS & Jaks Constructions, Bengaluru
- RDB Legend Infrastructure Pvt. Ltd., Hyderabad
- NCC Urban Infrastructure Ltd, Hyderabad
- Royal Shelters, Chennai
- Merlin Group, Kolkata
- Space Group, Kolkata
- Siddha Group, Kolkata
- Hiland Group, Kolkata
- Rohara Group, Kolkata
- Arianth Group, Kolkata
- Saltee Group, Salt Lake City, Kolkata
- Om Skylark, Mahadeo Nirmal, Kolkata
- Z Estates Pvt. Ltd., BBSR, Odisha
- Z Engineers, BBSR, Odisha
- JVC Hallmark, Chennai
- ASBL, Hyderabad
- Prestige Group, Hyderabad
- Kolte Patil Developers, Mumbai

OUR ESTEEMED CLIENTELE



NORTH-WEST

HOTELS

- Grand Hyatt, Goa
- ITC Fortune Hotel, Gurgaon
- ITC Grand Maratha, Mumbai
- Karnath Group, Mumbai
- Le Grande, Ahmedabad
- Le Meridian, Mumbai
- Maratha Sheraton, Mumbai
- MBD Group of Hotels
- Mountview Hotels, Chandigarh
- Orchid Group, Mumbai
- Raddisson, Delhi, Amritsar, Manesar
- Shangrila Hotels, Ahmedabad
- Sri Krishna Holiday Inn, Hyderabad
- Taj Group
- Taj Residency, Bengaluru
- The Claridges Hotel, New Delhi
- The Hyatt, New Delhi
- The Oberoi Group, Mumbai, Kolkata
- Oberoi Grand - Kolkata
- Trident Group

IT & ITeS

- Cadence Design System, Noida
- Caterpillar, Bengaluru
- Computer Science Corporation, Noida
- GE - ITC, Bengaluru
- GE Capital International Services - Bengaluru, Hyderabad, Gurgaon
- I-Gate Global Solutions, Bengaluru
- IMEC, Bengaluru
- Infogain India Limited, Noida
- Infosys Technologies Ltd., Bengaluru
- Jubilant Technologies, Noida
- McAfee Software, Bengaluru
- MICO Bosch, Bengaluru
- L&T Mindtree
- SAP Labs, Bengaluru
- Mitsubishi IT Services, Bengaluru
- NIT Ltd, New Delhi
- Nucleus Software Export, Noida
- Patni Computers, Noida
- R Systems, Noida
- Suvarna News
- Texas Instruments, Bengaluru
- Vodafone, Bhubaneswar
- Wipro-GE Medical, Whitefield, Bengaluru

HOSPITALS

- AIIMS - New Delhi, Jodhpur, Bhopal
- BAPS, Gujarat
- Baptist Hospital, Bengaluru
- Batra Hospital (Heart Command), New Delhi
- Bedekar Hospital, Thane
- BIOCON Group, Bengaluru
- Birla Hospital, Jaipur
- Bombay Heart Institute & Research Centre, Mumbai
- Breach Candy Hospital, Mumbai
- Escort Fortis - New Delhi, Jaipur, Mohali, Kangda
- ESIC Hospital - Hyderabad & Mangalore
- Eternal Hospital, Jaipur
- G.K. General Hospital - Kutch, Bhuj
- GE Medical Systems X-Ray Pvt. Ltd., Whitefield, Bengaluru
- Hiranandani Hospital, Mumbai
- IVY Hospital - Mohali, Hoshiyarpur, Navshera
- Jaipur Golden Hospital, New Delhi
- JP Medical Hospital, Noida
- KIMS Hospital, Hyderabad & Bellary
- Kokilaben Ambani Hospital, Mumbai
- National Institute of Heart & Lungs, New Delhi
- PGI Medical Sciences, Chandigarh
- PIMS, Jalandhar
- Rajiv Gandhi Cancer Hospital, New Delhi
- Ravindranath GE Medical Associates, Hyderabad
- Rockland Hospital, New Delhi
- Saifee Hospital, Mumbai
- Shri Balaji Hospital, Delhi
- Sir Ganga Ram Hospital, New Delhi
- Medico Hospital, Kolkata
- RIMS, Imphal
- Vardhaman Medical College, New Delhi
- Wason Hospital, Mumbai

COMMERCIAL OFFICE SPACE

- Cargill Foods, Bengaluru
- Time Inc, Bengaluru
- Arvind Mills, Bengaluru
- Capgemini, Bengaluru
- Citizen Industries, Bengaluru
- Britannia, Bengaluru
- Abbott Healthcare, Bengaluru
- AWFIS, Salt Lake City
- Tata Motors, Jamshedpur
- Odisha Diploma Engineers Service Association, BBSR, Odisha
- Hexaware Technologies, Chennai

PHARMA/ INDUSTRIAL

- Kewaunee Scientific Corporation, Bengaluru
- Hetero Drugs, Hyderabad & Visakhapatnam
- Shell, Bengaluru
- Glaxo Pharma Limited, Hyderabad & Visakhapatnam
- Apollo Hospital
- Merril Pharma, Ahmedabad
- Vimta Labs, Hyderabad
- Caplin Onco, Chennai
- Dr. Reddy's, Hyderabad

GOVERNMENT INSTITUTIONS

- Advanced Cancer Diagnostic, Treatment and Research Centre - Punjab Institute of Medical Sciences Society
- Bridges & Roads Punjab
- Central Electrical Authority, New Delhi
- Central Public Works Department (CPWD)
- Chandigarh Housing Board
- Delhi Development Authority
- Delhi Metro Rail Corporation
- Department of Atomic Energy "Raja Ramanna Centre for Advanced Technology (RRCAT)"
- Department of Telecommunication
- General Post Office Building (GPO), New Delhi
- Housing and Urban Development (HUDCO)
- HUDA & GAMADA
- Indian Institute of Integrative Medicine - Construction of GLP-standard In vivo Lab
- MES-Command Hospital
- Ministry of Health and Family Welfare - Institutes of Ayurveda
- National Institute of Malaria research - Construction of Test Research Lab
- National Projects Construction Corporation
- National Thermal Power Corporation (NTPC), New Delhi
- NBCC, New Delhi
- NDMC, New Delhi
- Police Housing Residential Complex
- Power Finance Corporation, New Delhi
- Punjab Police Housing Corporation
- AWHO, Kolkata
- Geological Survey of India (GSI)
- PWD West Bengal
- PWD Assam
- Eastern Railway
- Kolkata Metro Railway
- Board of Practical Training (BOPT), Salt Lake City
- Airport Authority of India (AAI)
- Unique Identification Authority of India
- World Health Organization (WHO Building), New Delhi
- ISRO, Bengaluru

Warranty Policy

Wipro undertakes to replace/repair its products at its discretion, should they become defective solely as a result of faulty materials or poor workmanship. Hence, the products will be considered under warranty against manufacturing defects only, as per below table.

Product Category	Warranty Period*
Uncoated/Unpainted Mechanical Switches, Sockets, Plates	120 months
Coated/Painted Switches, Plates, Sockets; Switches with LED, Accessories (Coated/Painted & Non-Coated/Non-Painted)	18 months
Design Finish Plates (Glass/Metal/Wood)	12 months

*Warranty period is considered from the date of manufacturing/packaging date.

Please note:

1. The warranty will be invalidated if the product has not been installed, maintained or stored in accordance with Company's instruction; or if any attempt has been made to dismantle or alter the product or tamper/reset the factory settings.
2. The warranty states the Company's entire liability towards product only. It does not extend to cover any sequential loss or damage or installation/uninstallation costs arising from the defective products.
3. In the interest of continuous improvement, the Company reserves the right to modify or change the product design and specification of its products in future without prior notice. In this event replacements, if any, will be done with the prevailing design.
4. Proof of purchase needs to be retained and furnished at the time of claim for settlement.

*For any further clarifications please contact our local sales office.

BRANCH ADDRESSES

NORTH

- **HARYANA**
Wipro Enterprises (P) Ltd.,
185-186, Markendey Complex, Sena
Nagar, Ambala City,
Ambala - 134 002
Tel: 0171-2522035
- **NEW DELHI**
Wipro Enterprises (P) Ltd.,
E - 40/7, Okhla Industrial Area, Phase-II,
New Delhi - 110 020
Tel: 011-41708122-29
- **PUNJAB**
Wipro Enterprises (P) Ltd.,
Precto Pipes Compound,
Dayalpur Road, Jungian,
SAS Nagar, Runido - 140005
Tel: 0172-501834, 2660714
- **UTTARAKHAND**
Wipro Enterprises (P) Ltd.,
C/O Arihant Associates, (C&F Agent),
HCL Compound, Niranjanpur,
Dehradun - 248171
Tel: 0135-2620912
- **UTTAR PRADESH**
Wipro Enterprises (P) Ltd.,
E-149, Transport Nagar, Kanpur Road,
Lucknow (UP) - 226 012
Tel: 0522-2434352
- **RAJASTHAN**
Wipro Enterprises (P) Ltd.,
A-71, Road No. 1, Vishwakarma
Industrial Area, Jaipur - 302013
Tel: 0141-2280014

EAST

- **BIHAR**
Wipro Enterprises (P) Ltd.,
Godown No 1, Didar Ganj Baazar
Samiti Patna - 800001
Tel: 0612-2640855
- **CHHATTISGARH**
Wipro Enterprises (P) Ltd.,
King Road, No.1,
Near Jagdamba Mandir,
Opp Manchanda Steel,
Professor Colony, Raipur - 492 013
Tel: 0771-3265725

- **ODISHA**
Wipro Enterprises (P) Ltd.,
C/O Hindustan Agencies, Plot No 135,
Mancheswar Ind. Estate, Rasulgarh
Bhubaneswar - 751 010
Tel: 067-46450804

- **WEST BENGAL**
Wipro Enterprises (P) Ltd.,
3, Pretoria Street, 3rd Floor,
Kolkata - 700 071
Tel: 033-22829268 / 44045887

SOUTH

- **ANDHRA PRADESH**
Wipro Enterprises (P) Ltd.,
Door No: 1-99,
Siri Audi Nadar, Tendada,
Visakhapatnam - 530045
Tel: 9676908080
- **BENGALURU**
Wipro Enterprises Pvt Ltd.,
No. 139, 3rd Cross, NS Palya,
Off Bannerghatta Road, Bengaluru -
560076 Tel: 080-40541950
- **KERALA**
Wipro Enterprises (P) Ltd.,
Irumbanam, Sea Port Road,
Ernakulam, Cochin - 682309
Tel: 0484-6555545 / 2421168
- **TAMIL NADU**
Wipro Consumer Care & Lighting,
Svalar Square, 15 NP Developed Plot,
Guindy Industrial Estate,
Ekkaduthangal, Chennai - 600032
Tel: 044-24769653
- **TELANGANA**
Wipro Enterprises (P) Ltd.,
G Block, 6th Floor, Surya Towers,
105, Sardar Patel Road,
Kalasiguda, Secunderabad,
Telangana - 500003

WEST

- **AURANGABAD**
Wipro Enterprises (P) Ltd.,
K-87, MIDC, Walui, Gut No. 32, Plot No.3,
Rajangaon (Senpunje),
Taluka - Gangapur, Aurangabad- 431 136
Tel: 0240 6003077 / 6002077
- **GUJARAT**
Wipro Enterprises (P) Ltd.,
Plot No. 610-612, Near Forest Quarters,
Opp. Hotel Parichay, National Highway No. 08,
Aslali, Ahmedabad - 382 427
Tel: 02718-321819 / 9033021988
- **MADHYA PRADESH**
Wipro Enterprises (P) Ltd.,
86/8/1, Lasudiya Mori, Near
Shivani Transport, Devas Naka,
Indore - 452 010
Tel: 0731-3299668 / 3298765
- **MUMBAI**
Wipro Enterprises (P) Ltd.,
203, 204, Hindustan Kohinoor Industrial
Estate, LBS Road, Vikhroli West,
Mumbai - 400 083 Tel: 022-67213757 /
67213755-63
- **NAGPUR**
Wipro Enterprises (P) Ltd.,
191, Rachana Apartments, First Floor,
Shivajinagar, Cement Road,
Dharampeth, Nagpur - 440 010
Tel: 0712-2569878
- **PUNE**
Wipro Enterprises (P) Ltd.,
1195/5, Fergusson College Road, Bhosale
Heights, 3rd Floor, Pune - 411 005
Tel: 020-25535081 / 25535401



NORTH · WEST

WIPRO ENTERPRISES (P) LTD.

Registered Office: Plot No.8, Wipro House, 80Ft Road, Koramangala, Bengaluru - 560 034, KA, India.

For feedback/queries, contact executive:
Wipro Consumer Care, Bengaluru - 560 034, KA.
feedback.wcc@wipro.com
northwest.switches@wipro.com
1-800-425-1969

Visit us at: www.wipronorthwest.com

[facebook.com/WiproNorthWestSwitches](https://www.facebook.com/WiproNorthWestSwitches)

[instagram.com/wipronorthwest](https://www.instagram.com/wipronorthwest)

Scan to visit
us online

